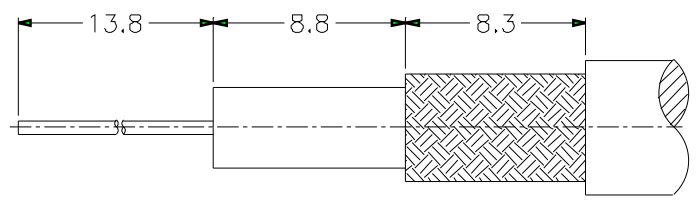
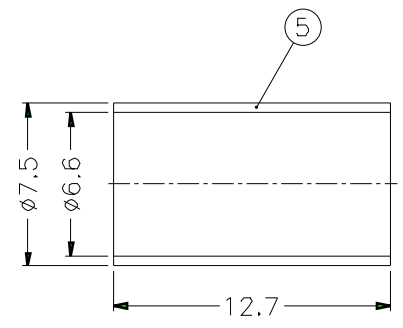
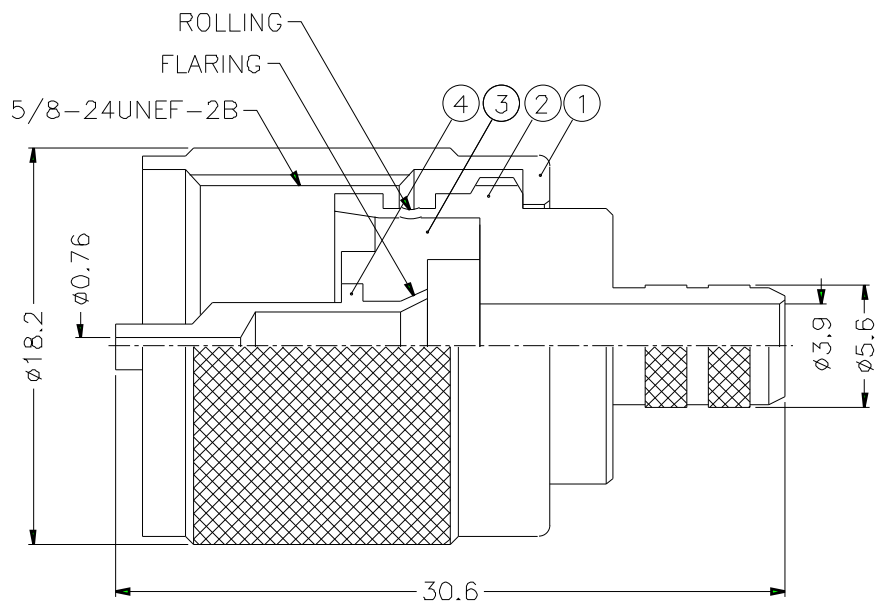


REVISIONS		
ISS	ZONE	DESCRIPTION\PER REQUEST\DATE



RECOMMENDED  
CABLE STRIPPING DIM'S



- 1. CRIMPED FERRULE  
HEX CRIMP SIZE .255"
- 2. CRIMPED CONTACT PIN  
HEX CRIMP SIZE .105"

NOTES: FINISH (PLATING THICKNESS IN MICRO-INCHES)  
 1. BRASS PER QQ-B-626  
 2. NICKEL PL. 100 MIN. THICK OVER COPPER STRIKE  
 3. PHENOLIC, YELLOW PER PANTONE 110C  
 4. GOLD PL. 3 MIN. THICK OVER NICKEL PL. 100 MIN. THICK OVER COPPER STRIKE  
 5. JIS H 3250, C 2700

DIMENSIONS ARE IN MILLIMETERS				PART NO. U1121A1-NPH3G-3-50	
UNLESS OTHERWISE SPECIFIED TOLERANCES 0.5-6 = ±0.2 6-30 = ±0.4 30-120 = ±0.6 120-315 = ±1 315-1000 = ±1.6 1000-2000 = ±2.4				APPROVED	DATE 10-11-01'
				CHECKED	DATE 10-11-01'
				DRAWN	DATE 10-11-01'
				SCALE 3/1	ISSUE A
FILE NO.				DRAWING NO. KJ-U1121A1-NPH3G-59U-50	

**Amphenol**

TITLE  
UHF CRIMP PLUG

DRAWING NO.  
KJ-U1121A1-NPH3G-59U-50

ITEM NO

NO.	DESCRIPTION	MATERIAL	FINISH	Q'TY	DRAWING NO.
5	FERRULE	NOTE 5	NOTE 2	1	FR-75/66X127
4	CONTACT PIN	NOTE 1	NOTE 4	1	U5000-4-21/076
3	INSULATOR	NOTE 3	NOTE 3	1	U5290-3PHE-50
2	BODY	NOTE 1	NOTE 2	1	U5000-2-56/39
1	SHELL	NOTE 1	NOTE 2	1	U5000-1